

# Broil King®

---

---



## Broil King Imperial™

XL  
9577-82  
9577-83  
9577-86  
9977-82  
9977-83  
9977-86



## Broil King Imperial™

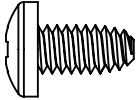
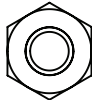


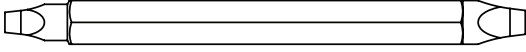

XLS  
9578-82  
9578-83  
9578-86  
9978-82  
9978-83  
9978-86

---

---

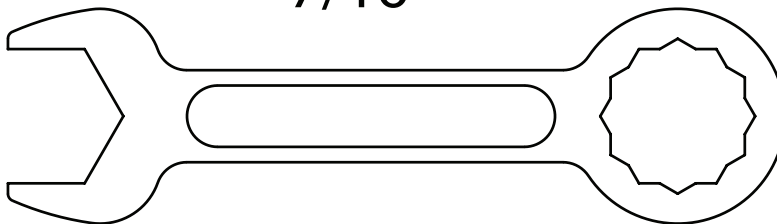
*Onward*  
SINCE 1906  
MANUFACTURING COMPANY  
1000 EAST MARKET STREET  
HUNTINGTON, INDIANA, 46750, USA

HARDWARE INCLUDED / MATERIAL INCLUS / EQUIPOS INCLUIDO

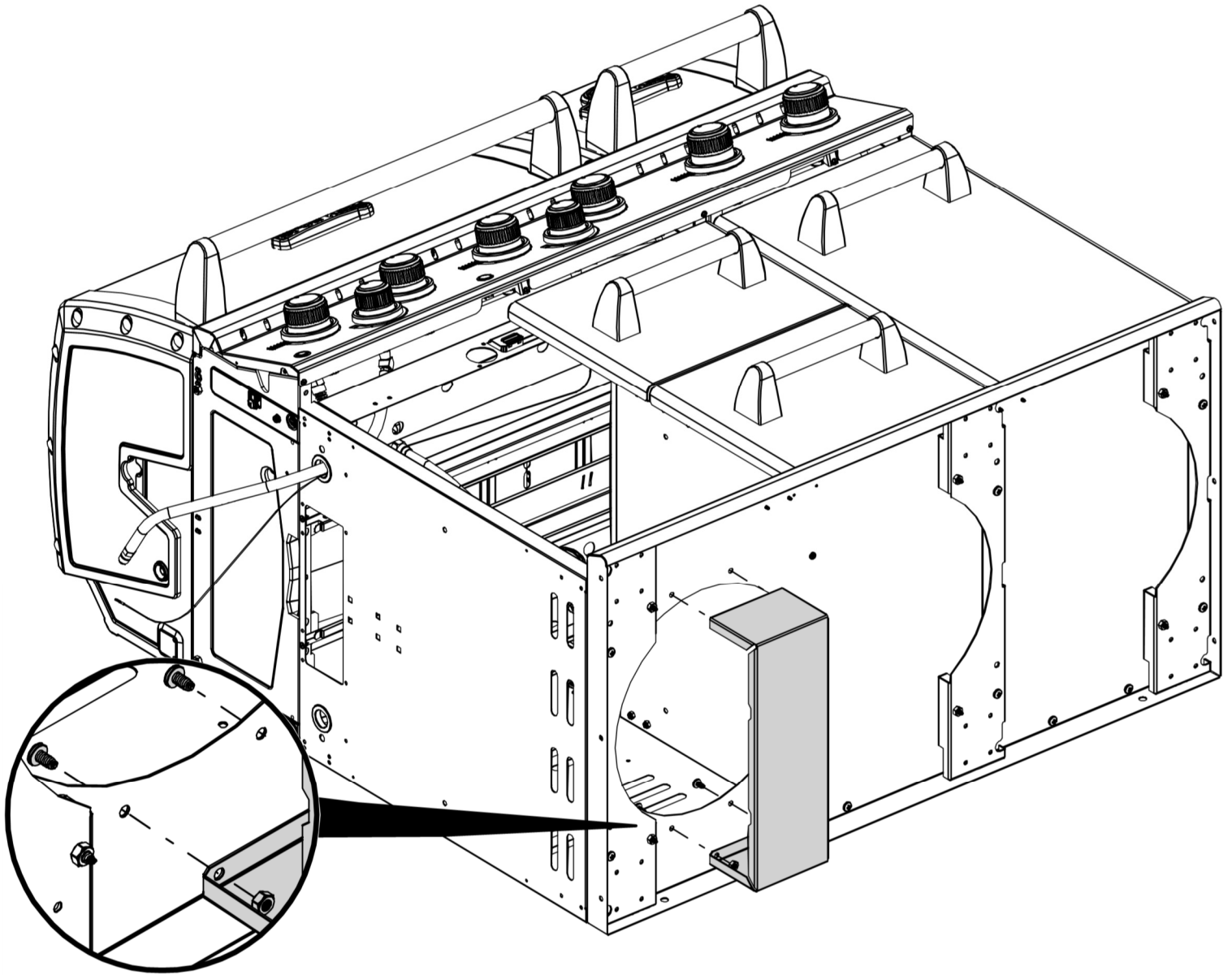
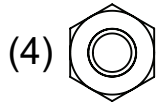
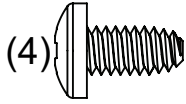
<p>Y-12865</p>  <p>X32</p>	<p>Y-11793</p>  <p>X8</p>
<p>Y-29306</p>  <p>X4</p>	   <p>#3 ROBERTSON</p> <p>#2 ROBERTSON</p>

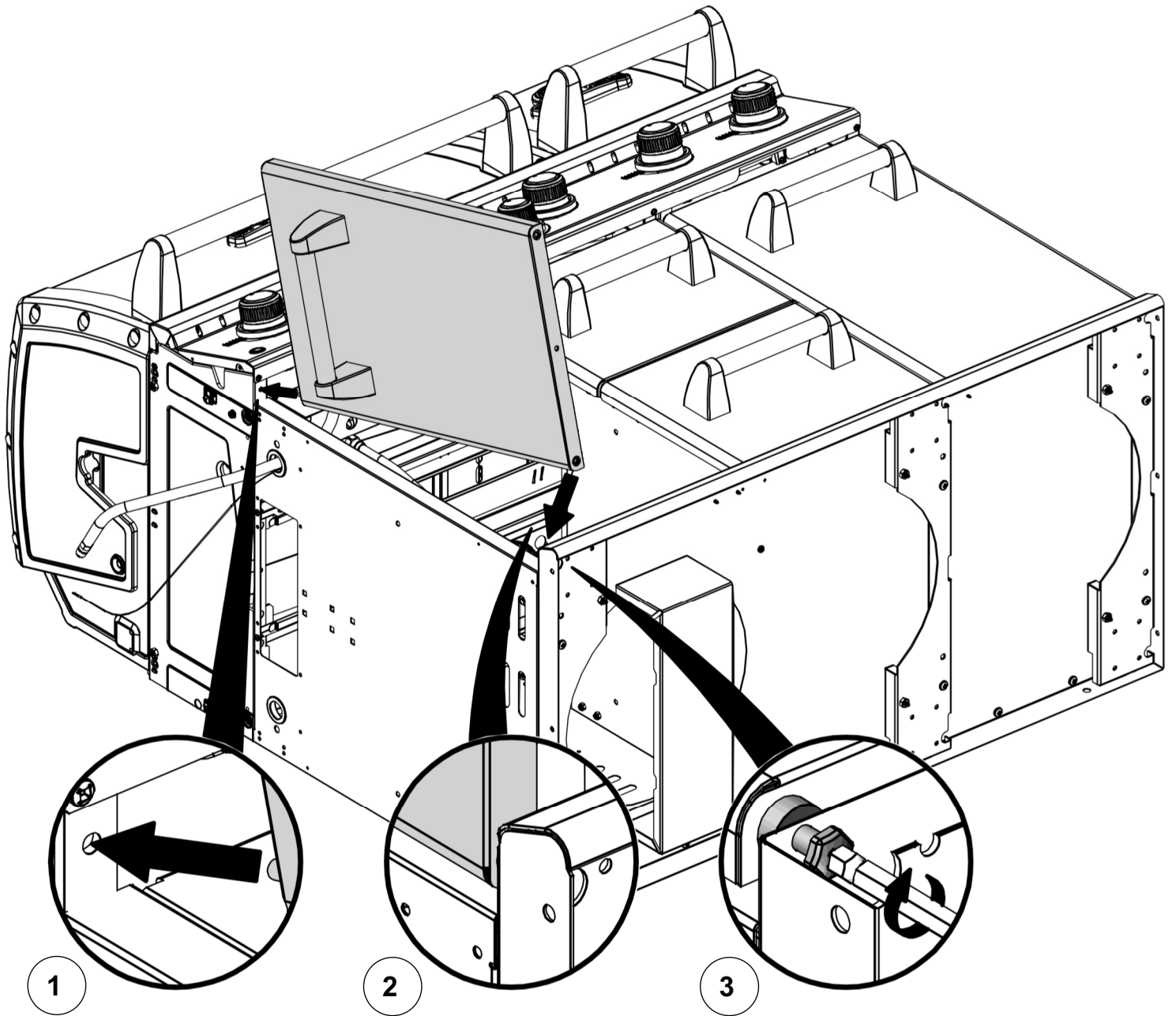
TOOLS REQUIRED / OUTILS NECESSAIRES / HERRAMIENTAS NECESARIAS

7/16"

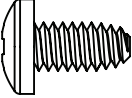


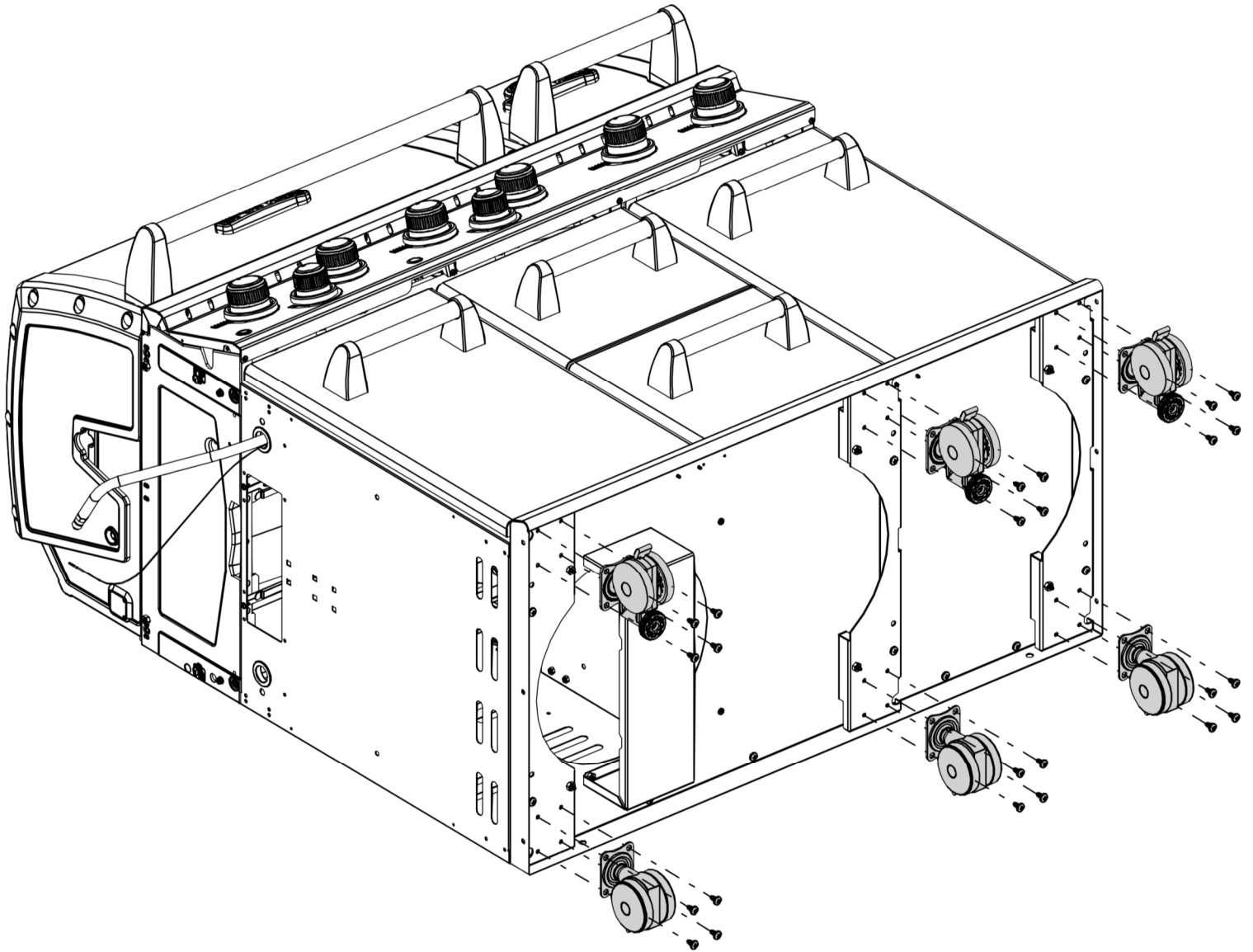
1



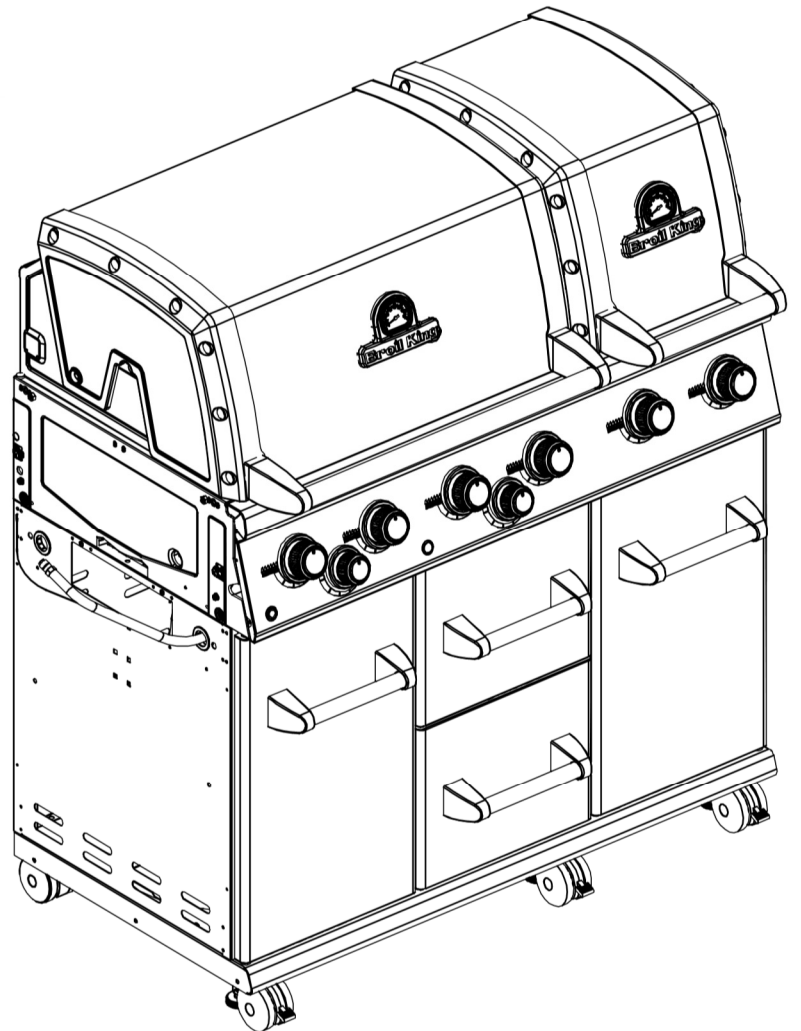
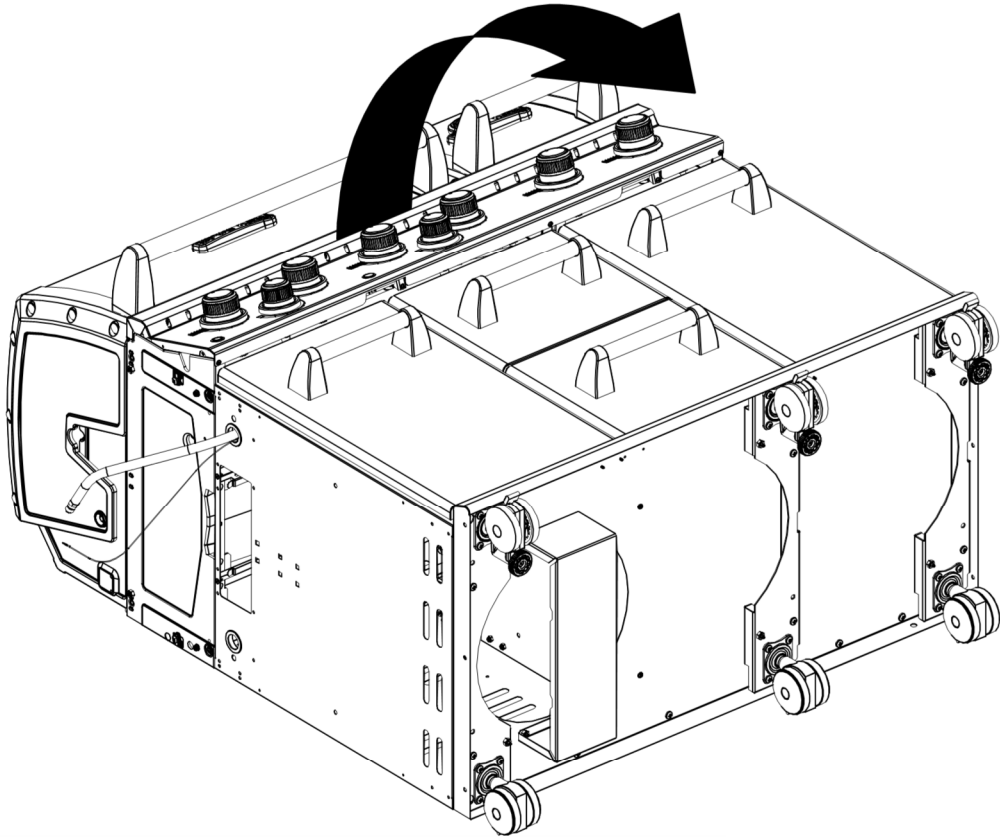


3

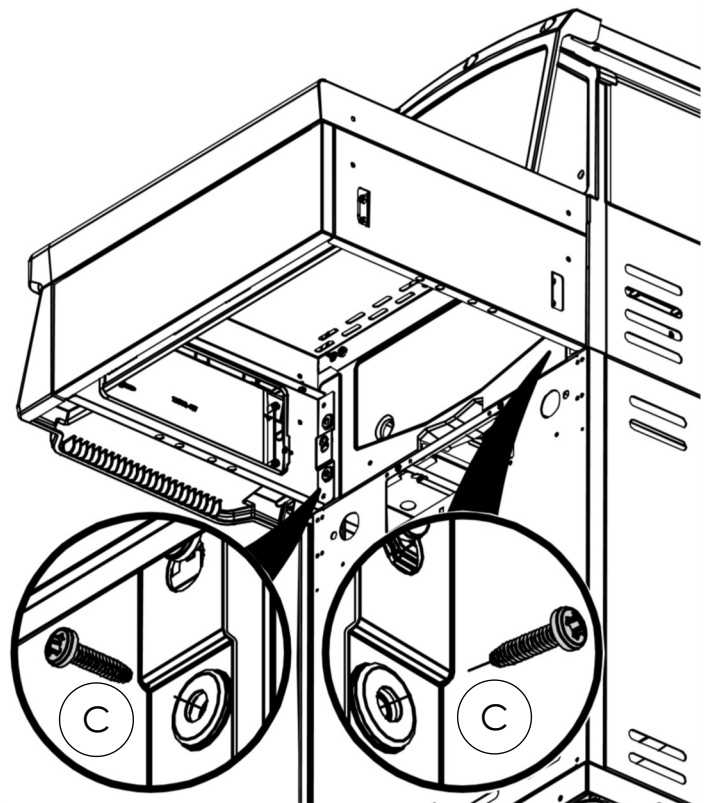
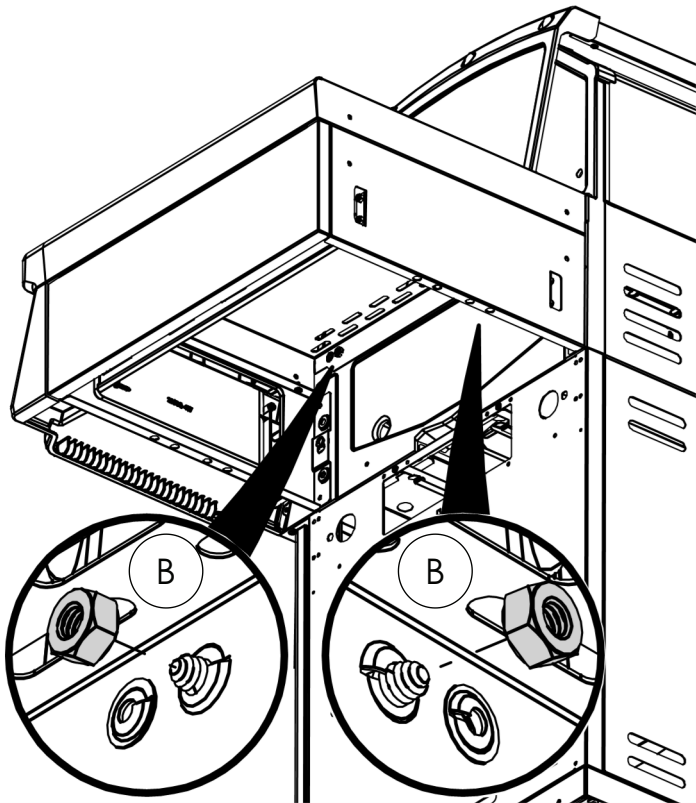
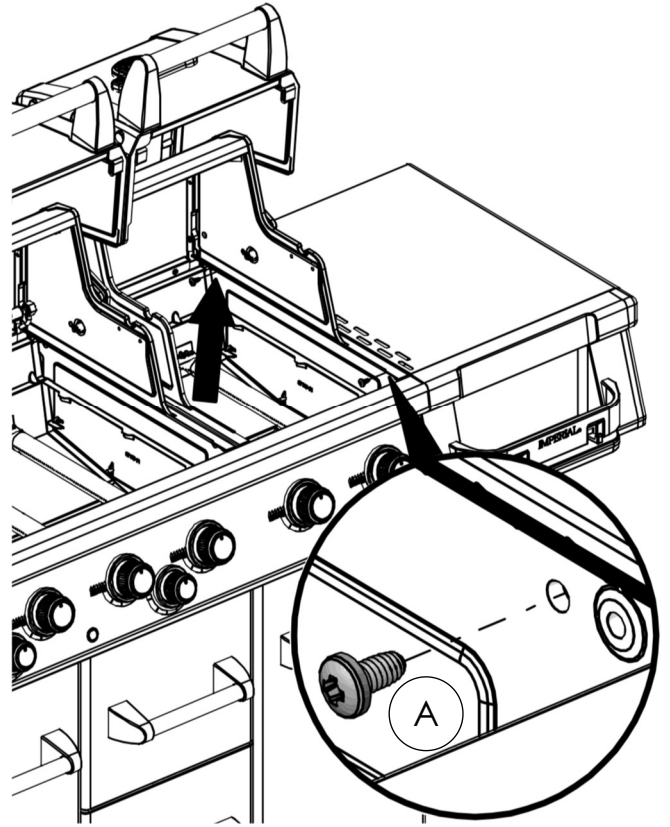
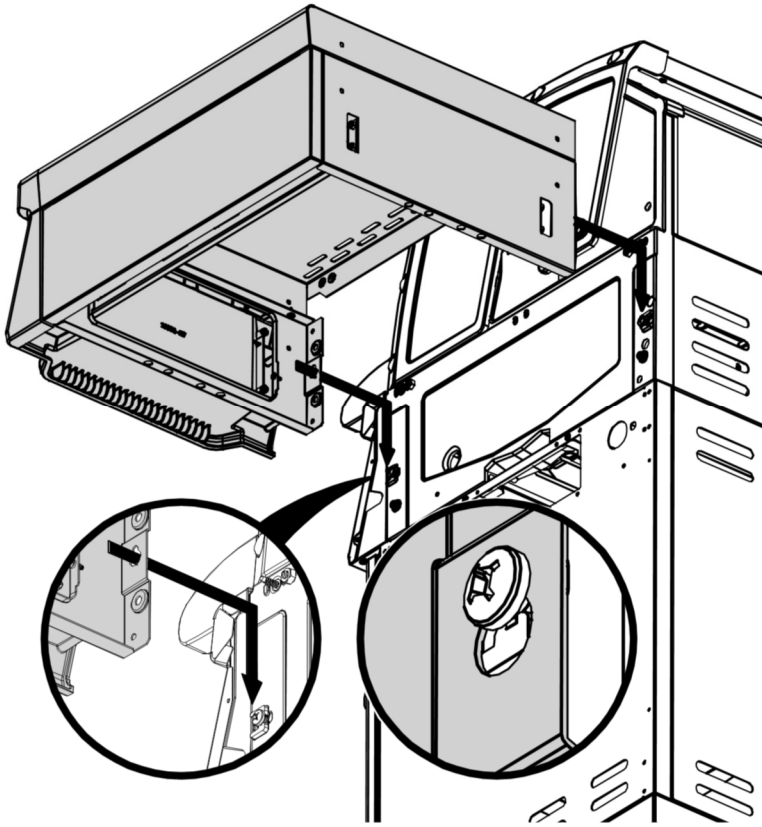
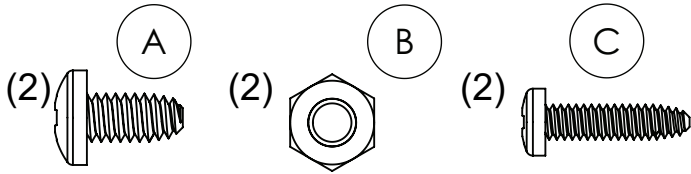
(24) 



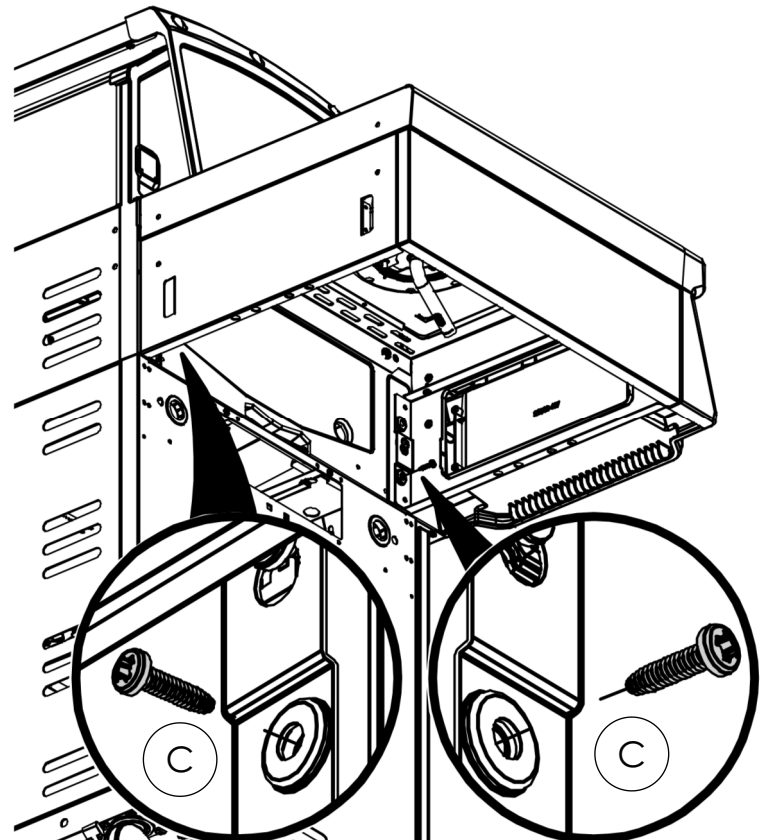
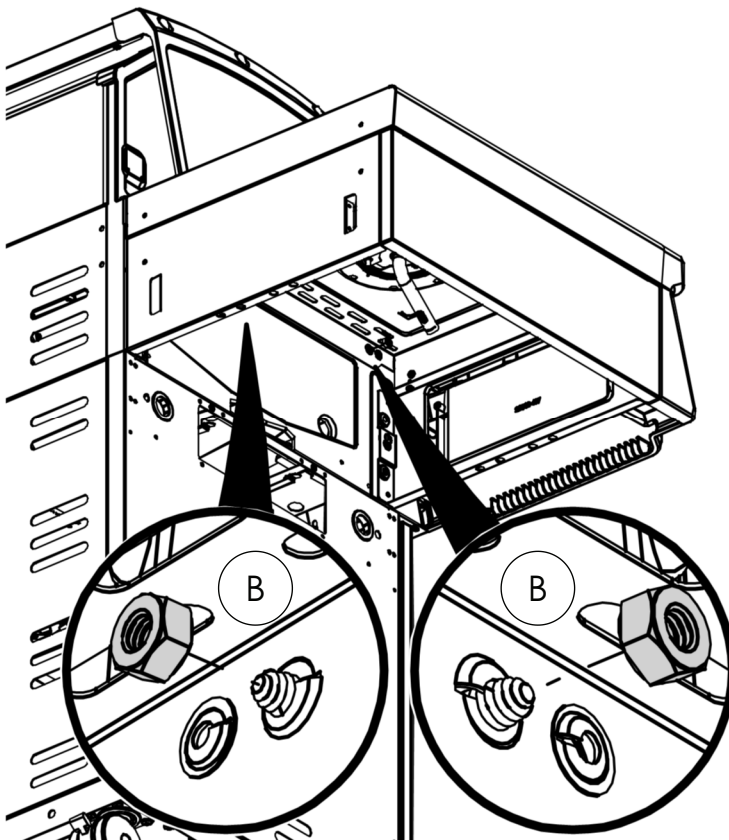
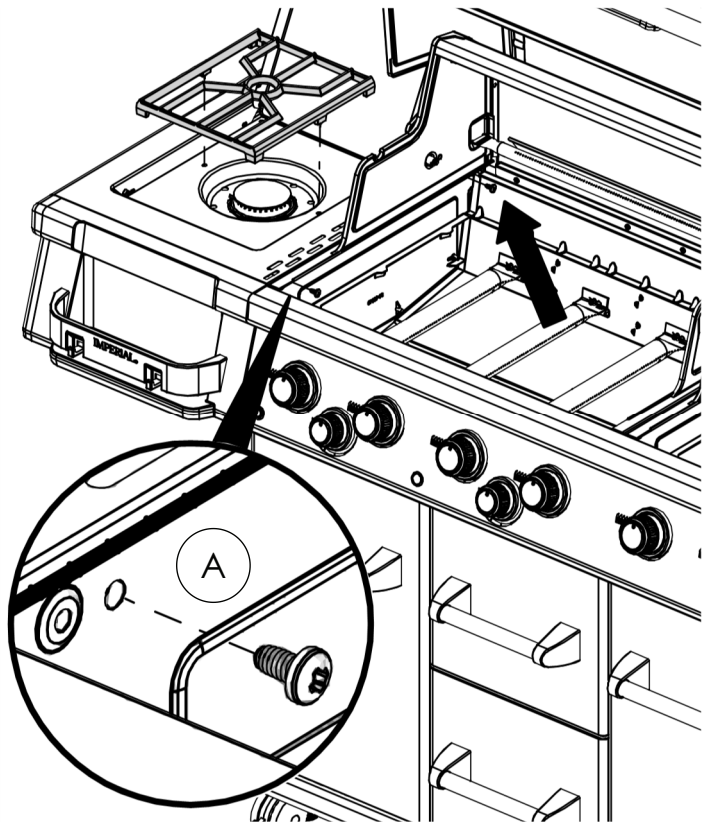
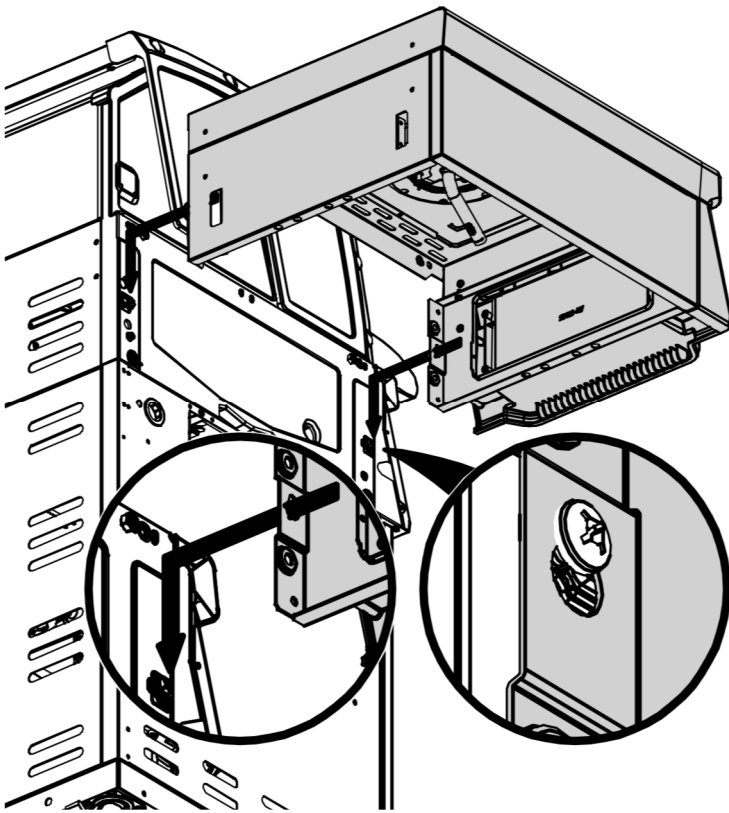
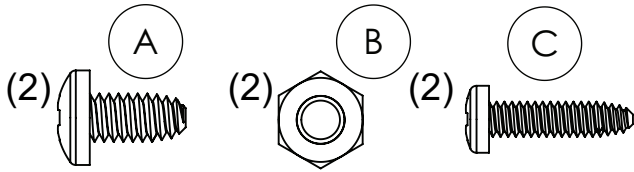
4



5

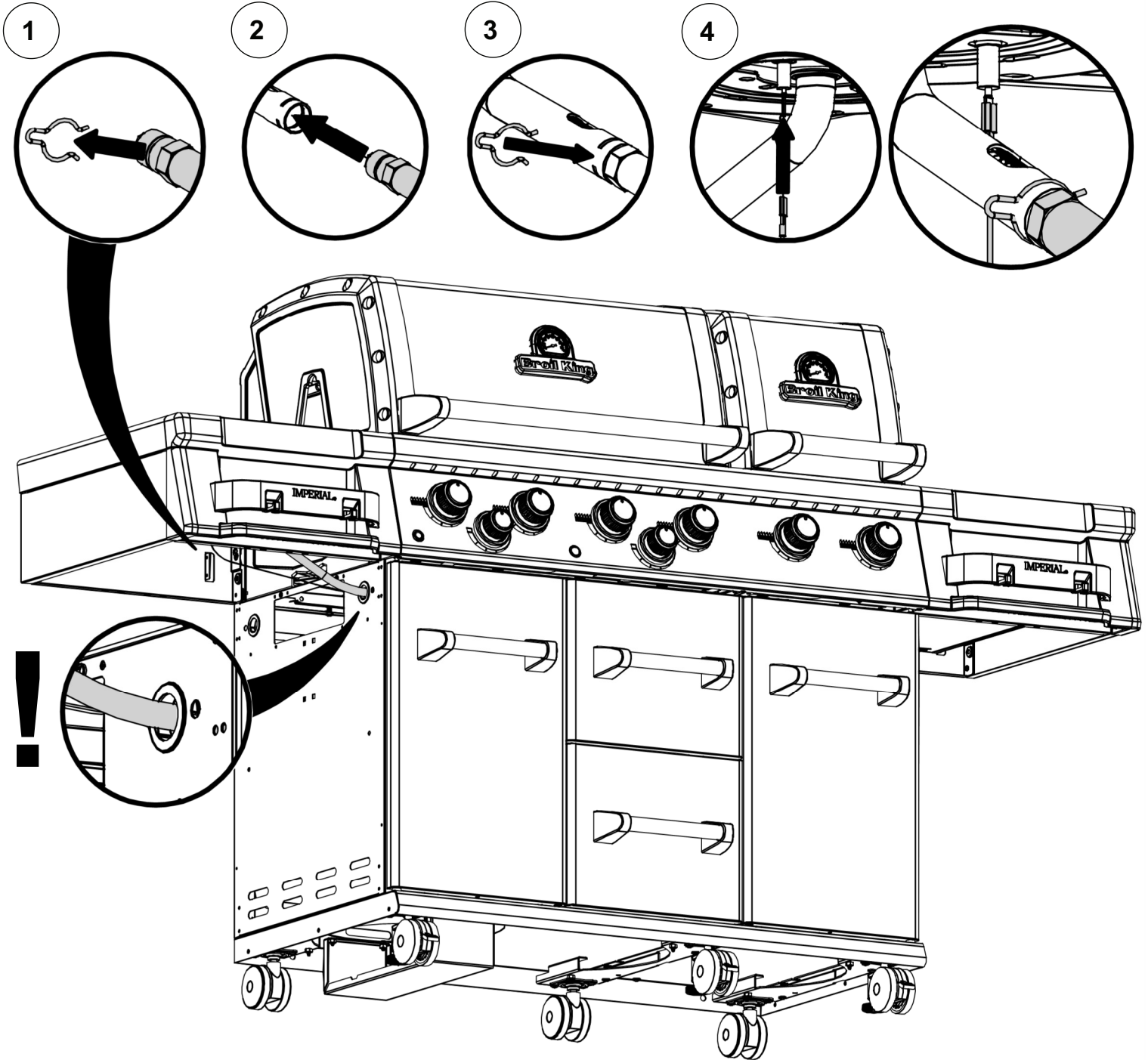
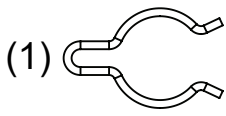


# 6

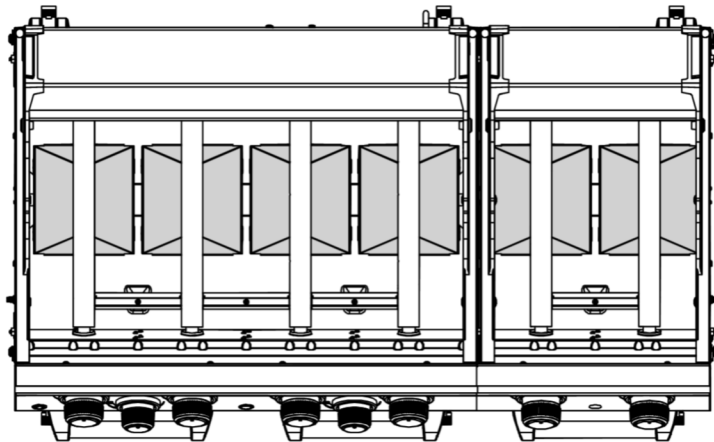
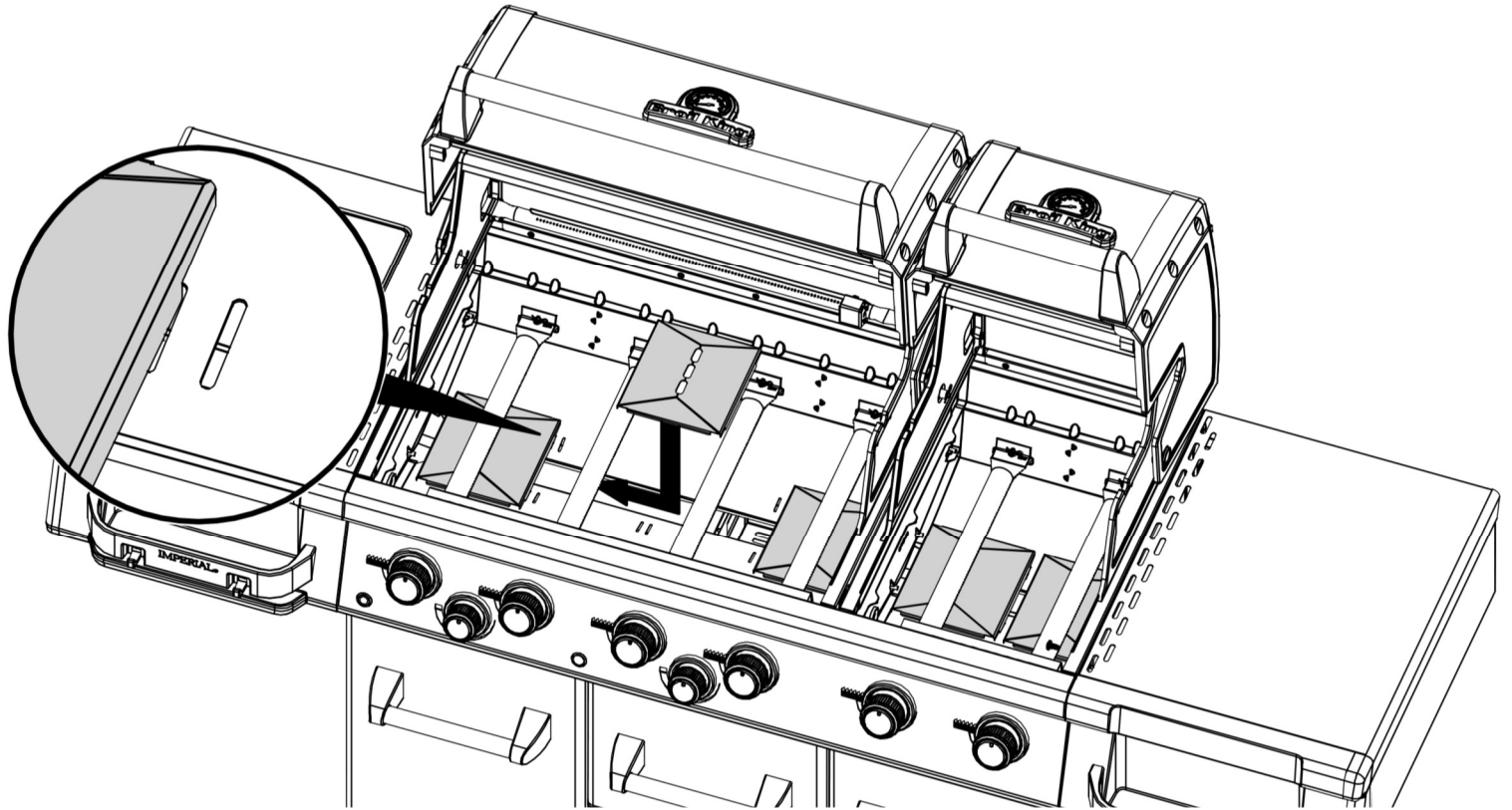
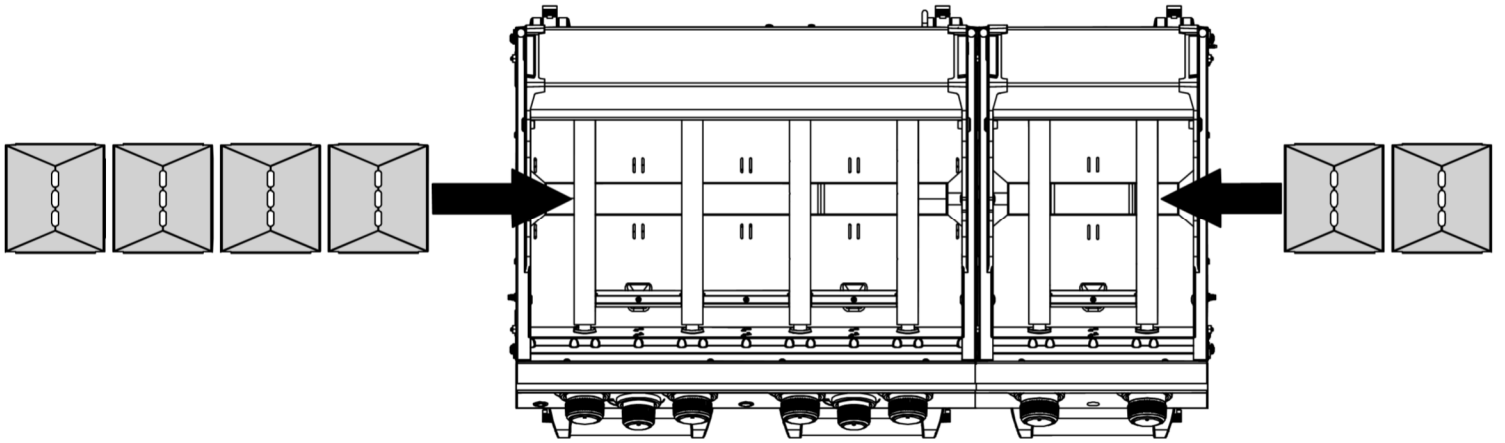


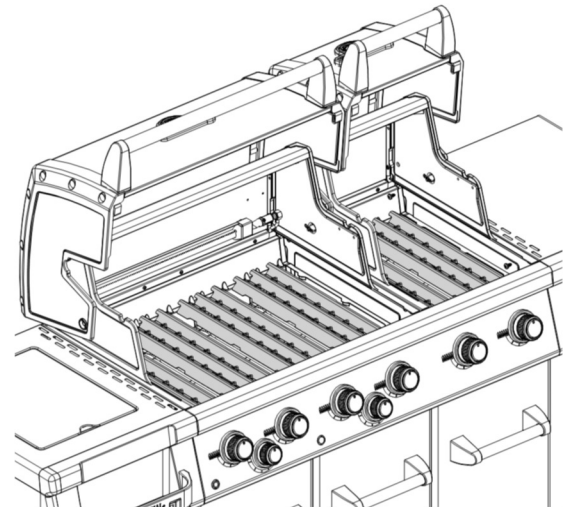
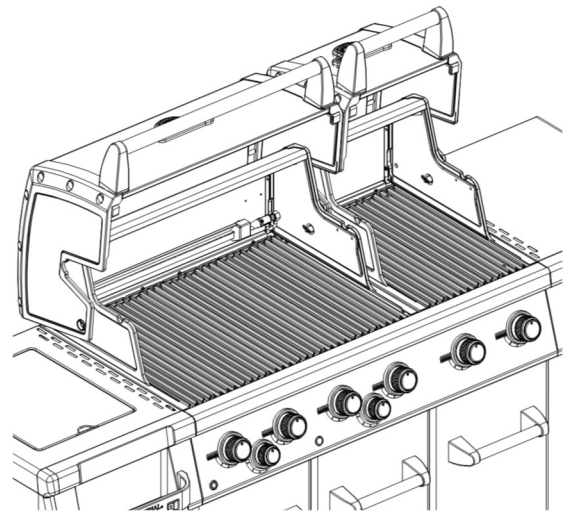
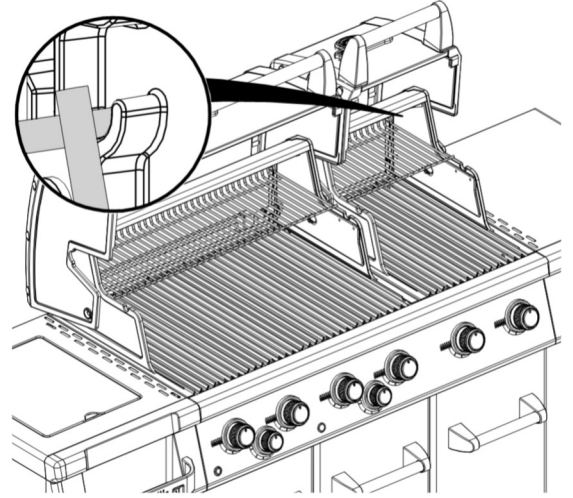
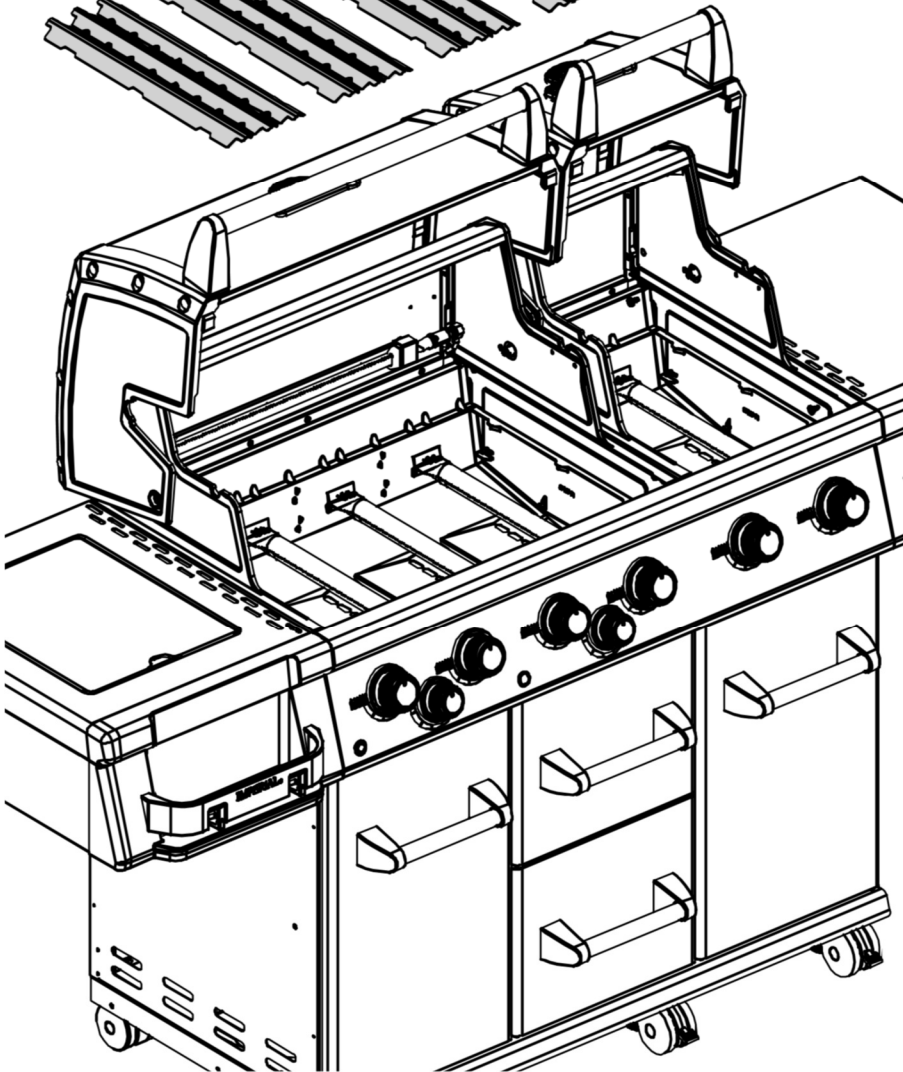
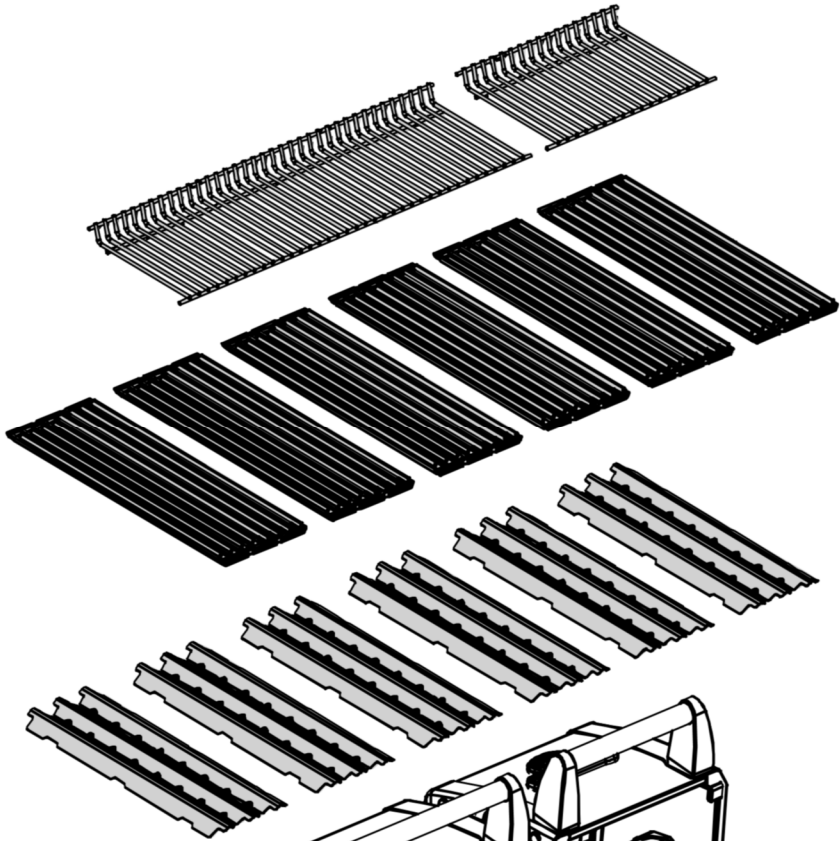


# 7

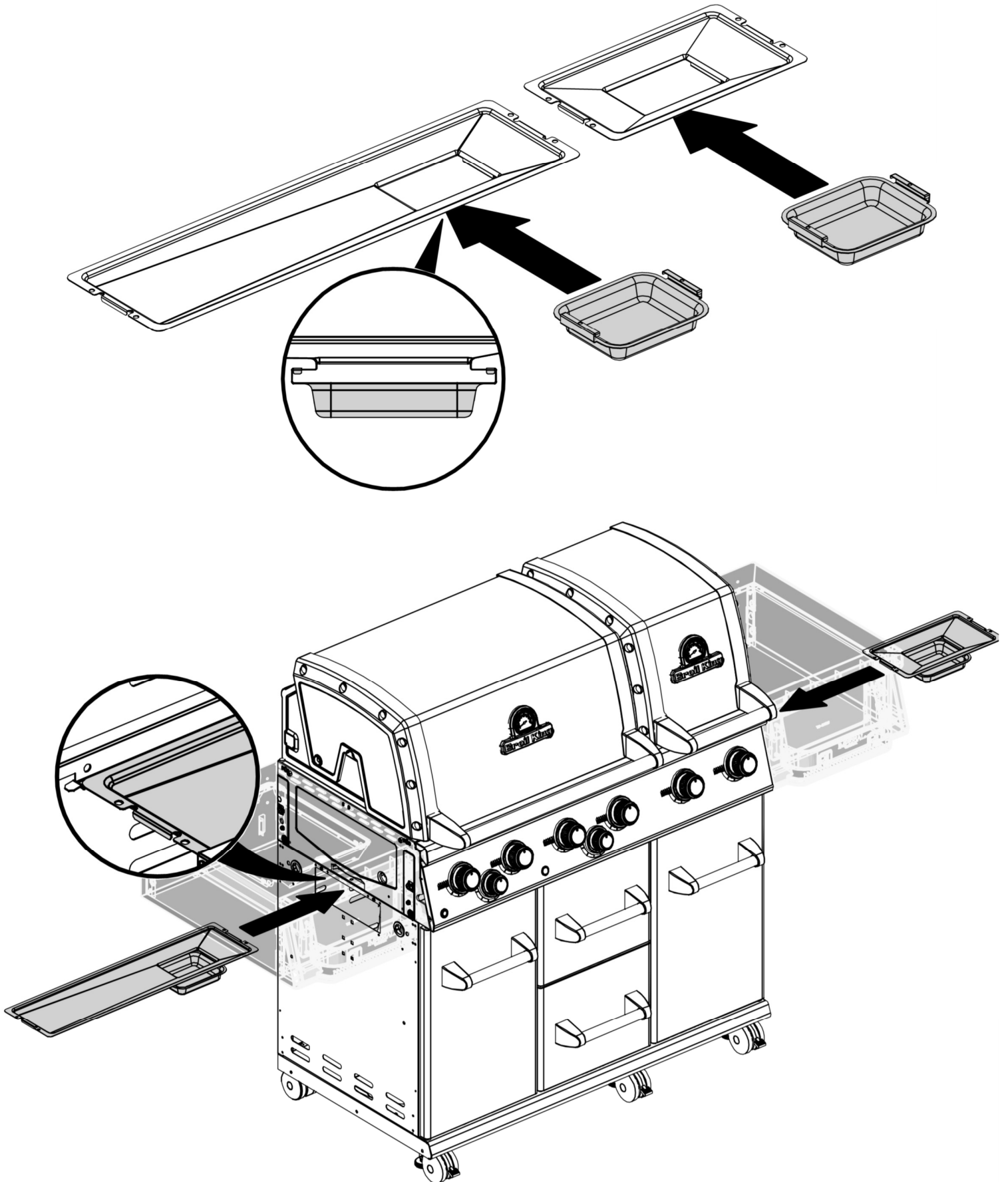


8

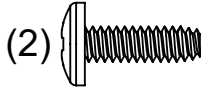




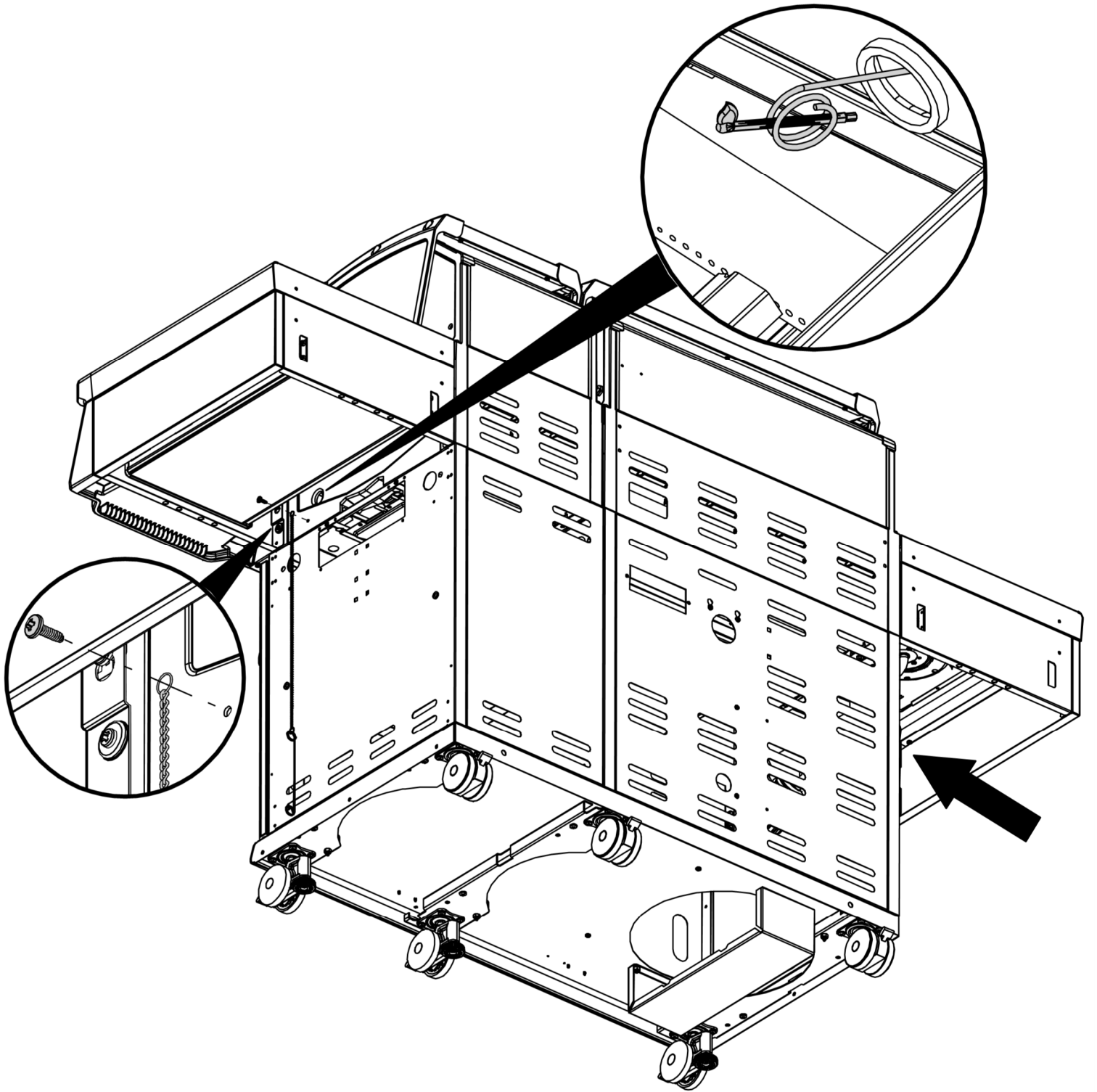
10



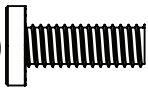

# 11

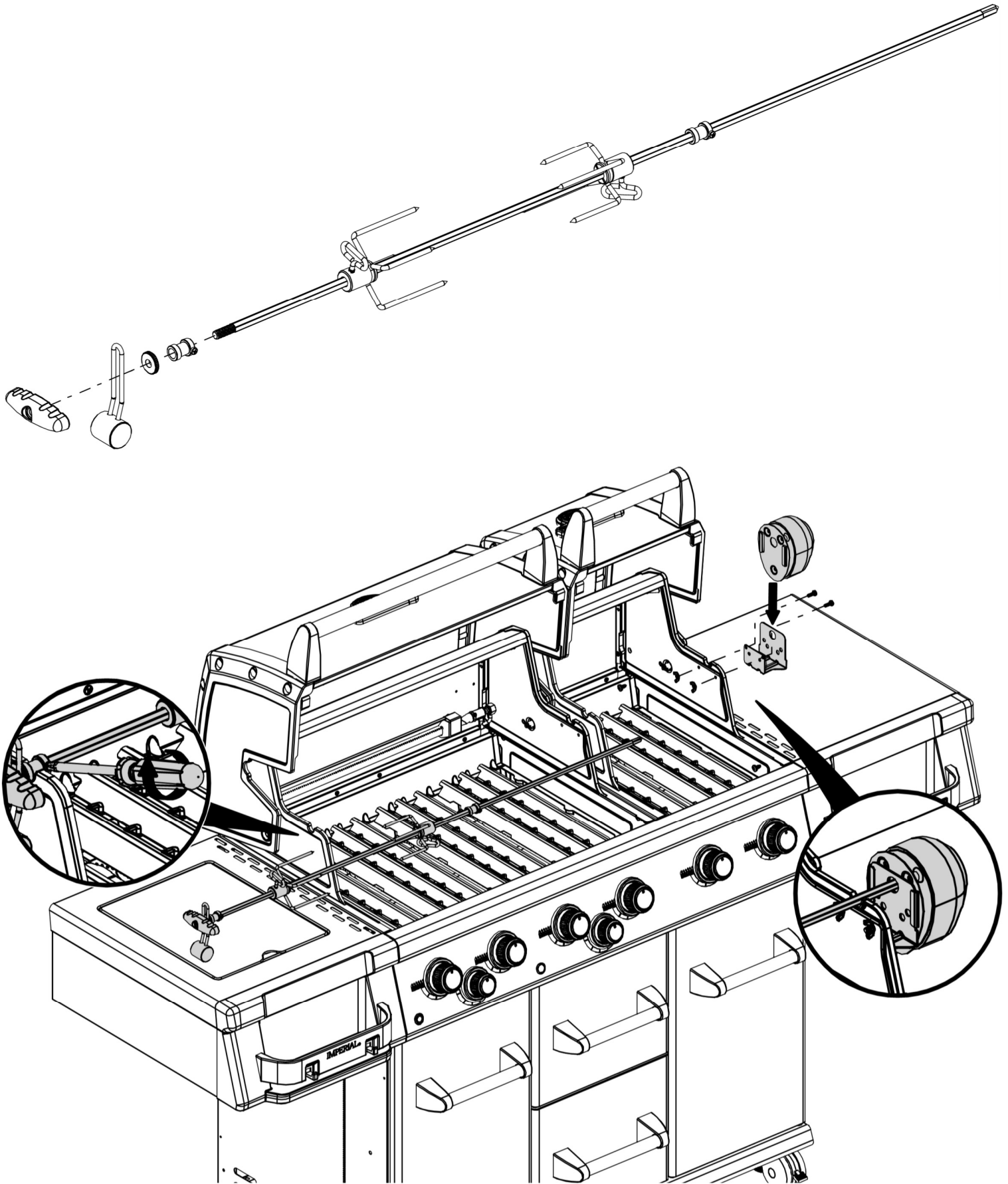


(2)



# 12

(2)  (2) 



# 13

(1)



AA

